



US00D955533S

(12) **United States Design Patent**  
**Kalman et al.**

(10) **Patent No.:** **US D955,533 S**  
(45) **Date of Patent:** **\*\* Jun. 21, 2022**

(54) **COMBINATION TOILET TANK WASH-BASIN AND FAUCET**

OTHER PUBLICATIONS

(71) Applicants: **Ken Kalman**, Canyon, CA (US);  
**Patrick Kennedy**, San Francisco, CA (US)

Free water, posted Aug. 17, 2007 [online], [retrieved Aug. 24, 2021]. Retrieved from internet, <https://www.youtube.com/watch?v=7kulnVSG0FY&t=21s>(on or around timestamp 0:16 into the video).\*

Space & Water Saving Sink Toilet Combo, posted Aug. 29, 2013 [online], [retrieved Aug. 24, 2021]. Retrieved from internet, [https://www.youtube.com/watch?v=azr17L7HCpQ&list=PL0hYyel\\_xYnB8sv01da-EYG7sER1YKW7A](https://www.youtube.com/watch?v=azr17L7HCpQ&list=PL0hYyel_xYnB8sv01da-EYG7sER1YKW7A) (on or around timestamp 0:05 into the video).\*

(72) Inventors: **Ken Kalman**, Canyon, CA (US);  
**Patrick Kennedy**, San Francisco, CA (US)

(\*\*) Term: **15 Years**

\* cited by examiner

(21) Appl. No.: **29/734,946**

*Primary Examiner* — Barbara Fox

(22) Filed: **May 16, 2020**

*Assistant Examiner* — Jamaal Rasheed

(51) **LOC (13) Cl.** ..... **23-04**

(74) *Attorney, Agent, or Firm* — Richard Bennett Salles

(52) **U.S. Cl.**

USPC ..... **D23/284**

(58) **Field of Classification Search**

(57) **CLAIM**

USPC ..... D23/238–244, 250, 252, 254–255, 257, D23/284

The ornamental design for a combination toilet tank wash-basin and faucet, as shown and described.

CPC .... F16K 31/602; F16K 31/605; F16K 31/607; E03C 1/0412; E03C 1/0404

See application file for complete search history.

**DESCRIPTION**

(56) **References Cited**

FIG. 1 is a perspective view of a combination toilet tank wash-basin and faucet, showing my new design.

U.S. PATENT DOCUMENTS

FIG. 2 is a front view thereof;

D188,528 S \* 8/1960 Markley, Jr. .... D7/313

FIG. 3 is a rear view thereof;

3,104,306 A \* 9/1963 Markley, Jr. .... A47J 31/54

FIG. 4 is a left elevational view thereof;

392/451

FIG. 5 is a right elevational view thereof;

D365,491 S \* 12/1995 Hui ..... D7/306

FIG. 6 is a bottom view thereof; and,

D497,409 S \* 10/2004 Valfridsson ..... D23/238

FIG. 7 is another perspective view thereof.

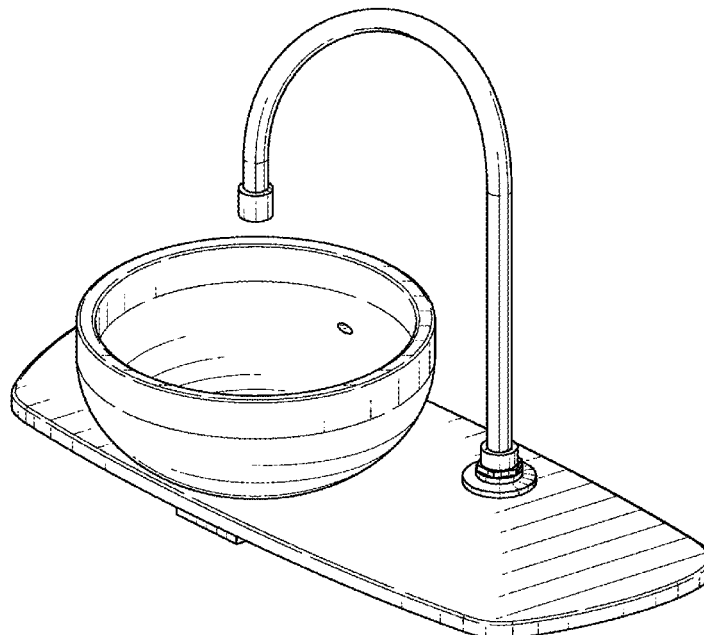
D844,110 S \* 3/2019 Soulier ..... D23/238

The broken lines shown in the figures depict portions of the combination toilet tank wash-basin and faucet that form no part of the claimed design.

FOREIGN PATENT DOCUMENTS

CN 3674253 \* 10/2006  
CN 303533806 \* 9/2015

**1 Claim, 5 Drawing Sheets**



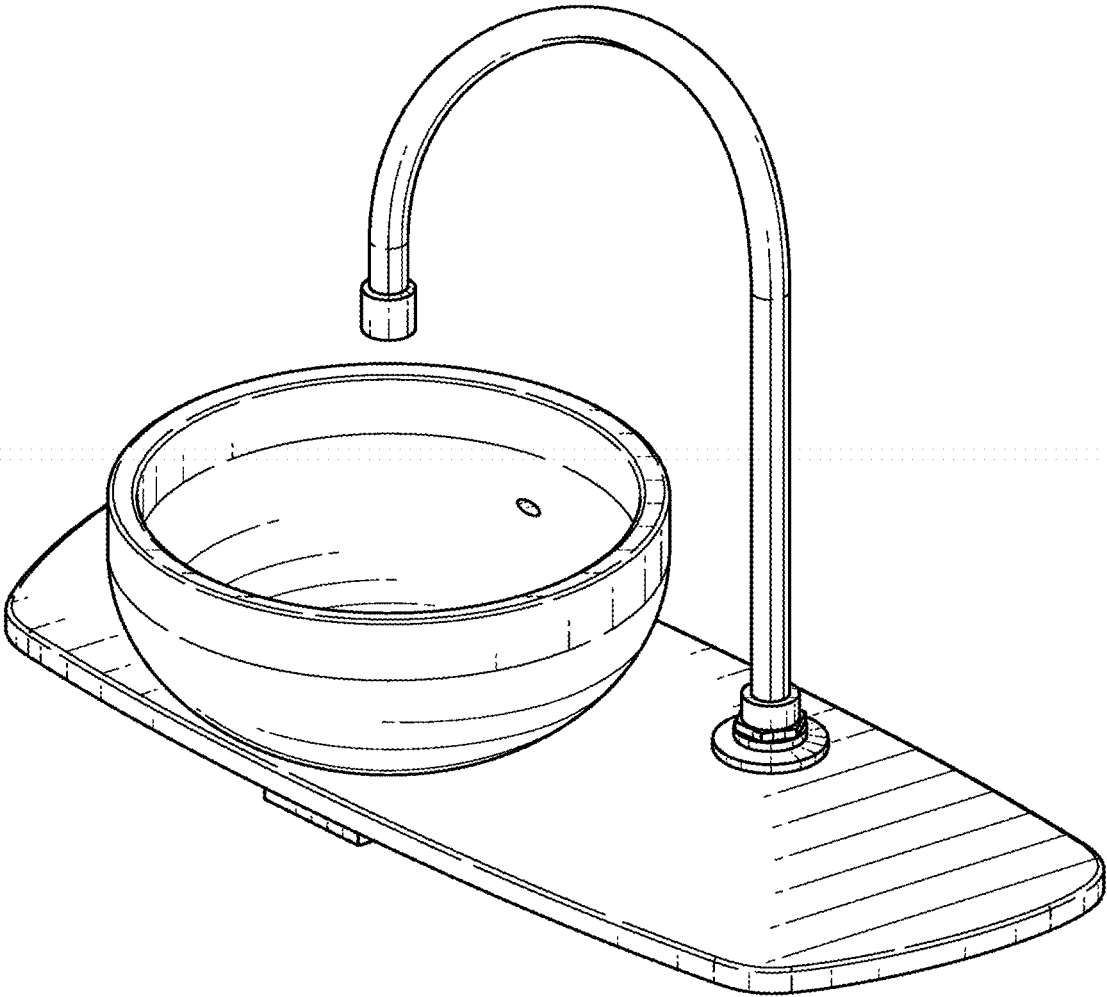


FIG. 1

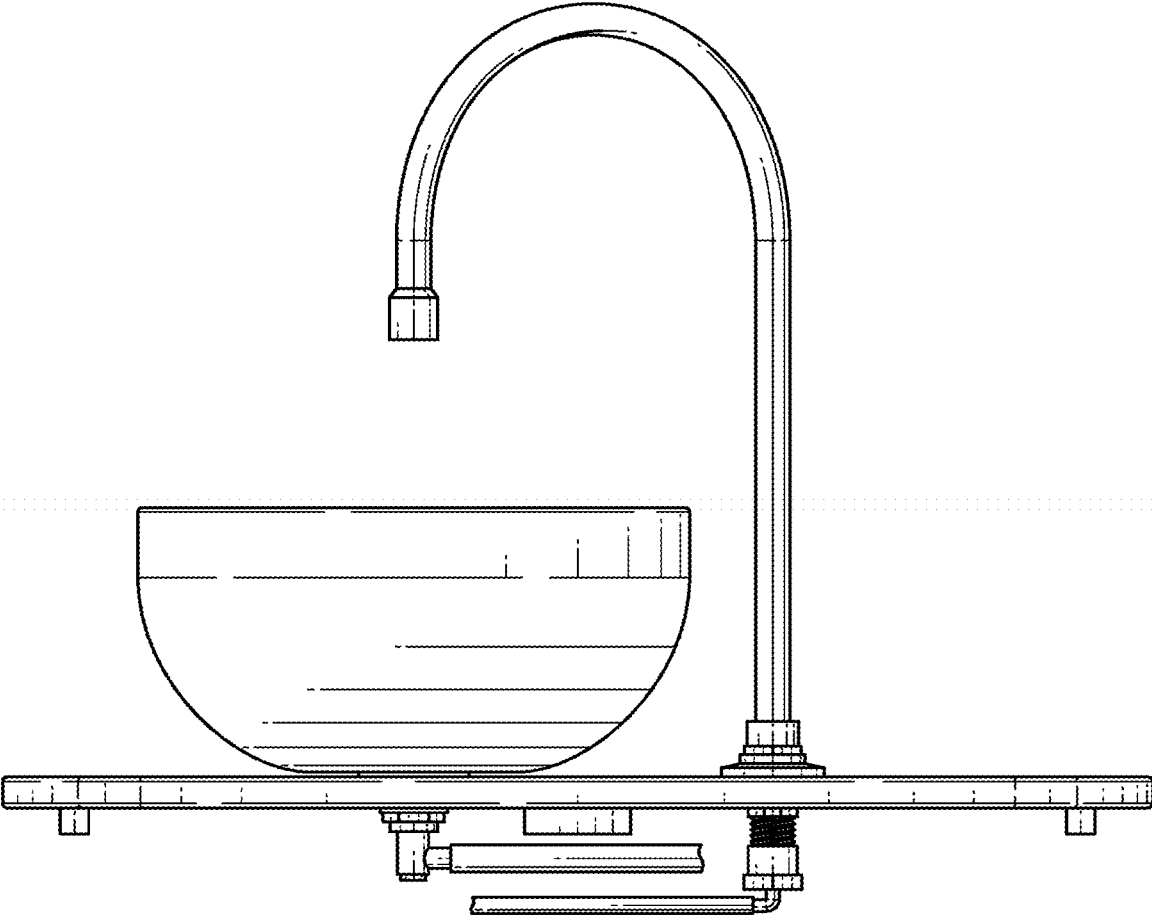


FIG. 2

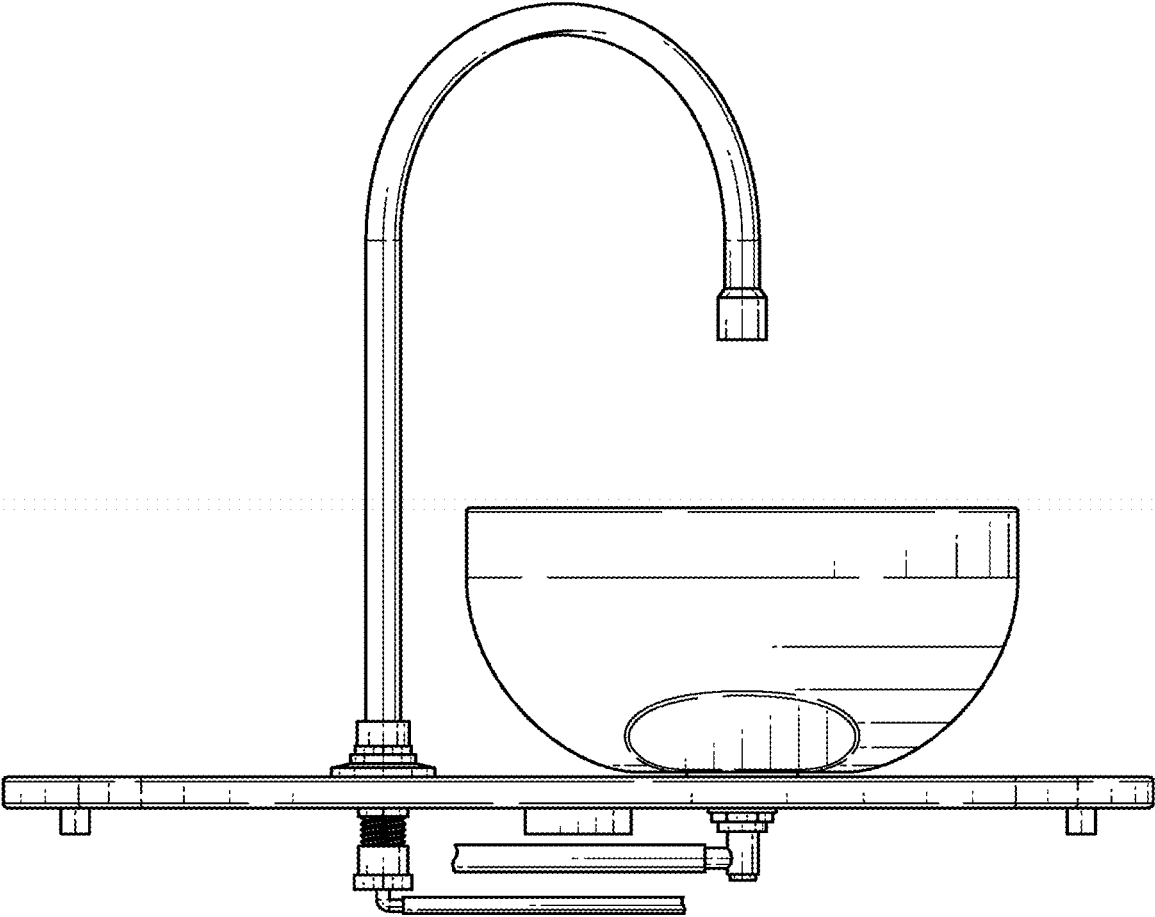


FIG. 3

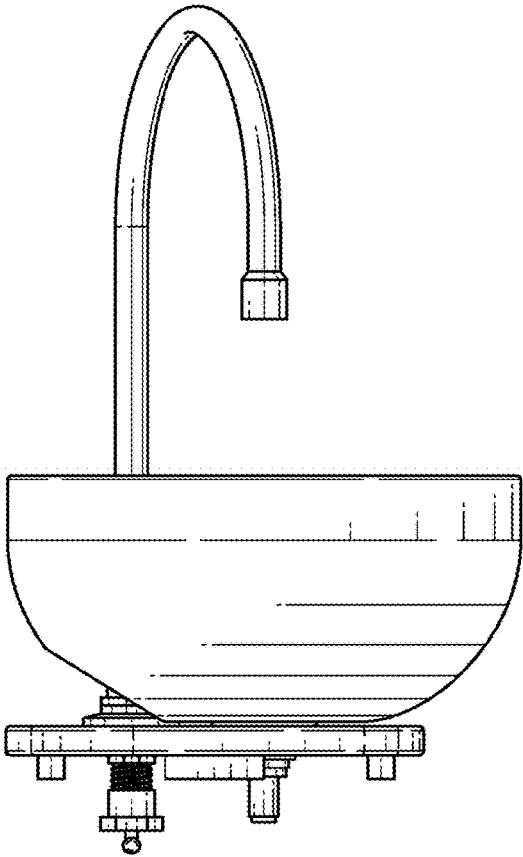


FIG. 4

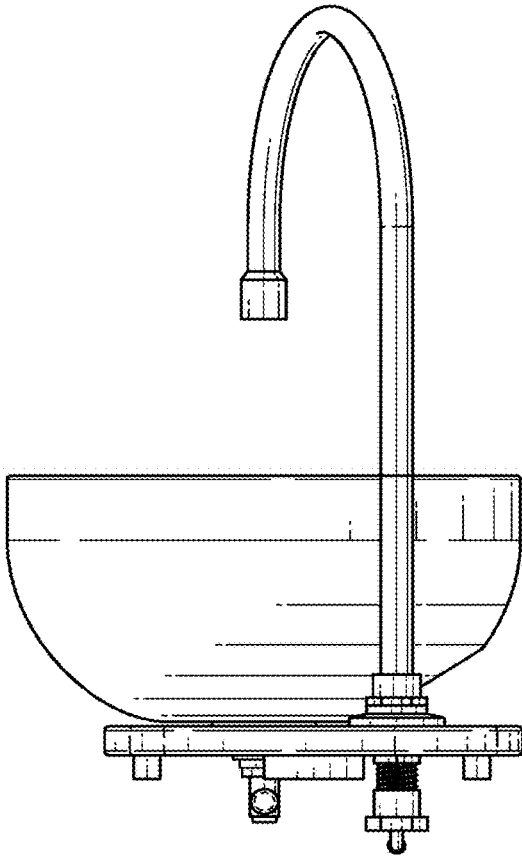


FIG. 5

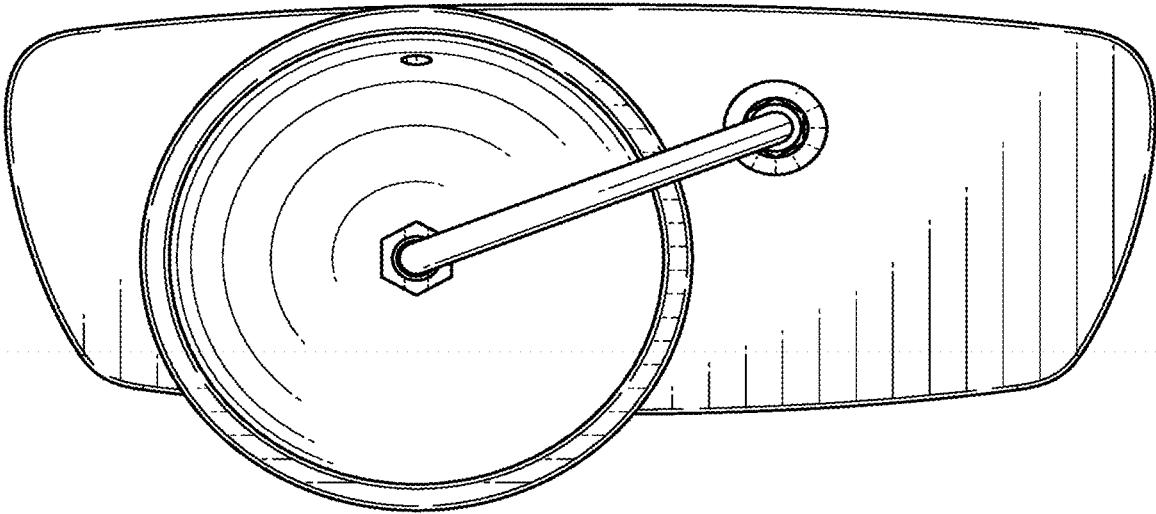


FIG. 6

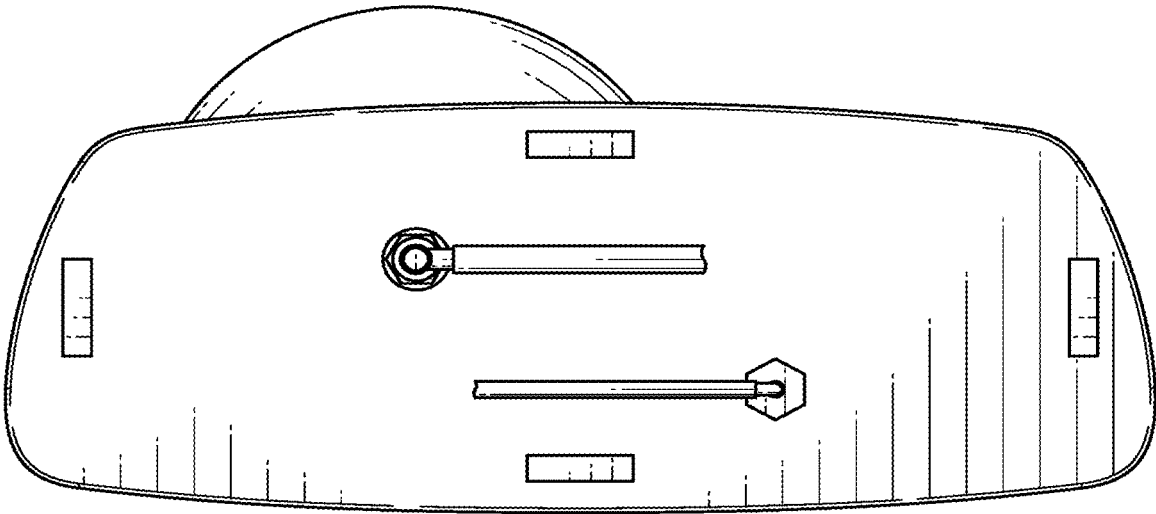


FIG. 7